



SERVICE PARTS LIST

BULLETIN NO.
54-49-9000

SPECIFY CATALOG NO. AND SERIAL NO. WHEN ORDERING PARTS		REVISED BULLETIN	DATE
SOCKET SETS			Dec. 2016
CATALOG NO. 48-22-9000	3/8" SAE Socket Set		
48-22-9001	3/8" Metric Socket Set		

EXAMPLE:
 00 0 Component Parts (Small #) Are Included
 When Ordering The Assembly (Large #).

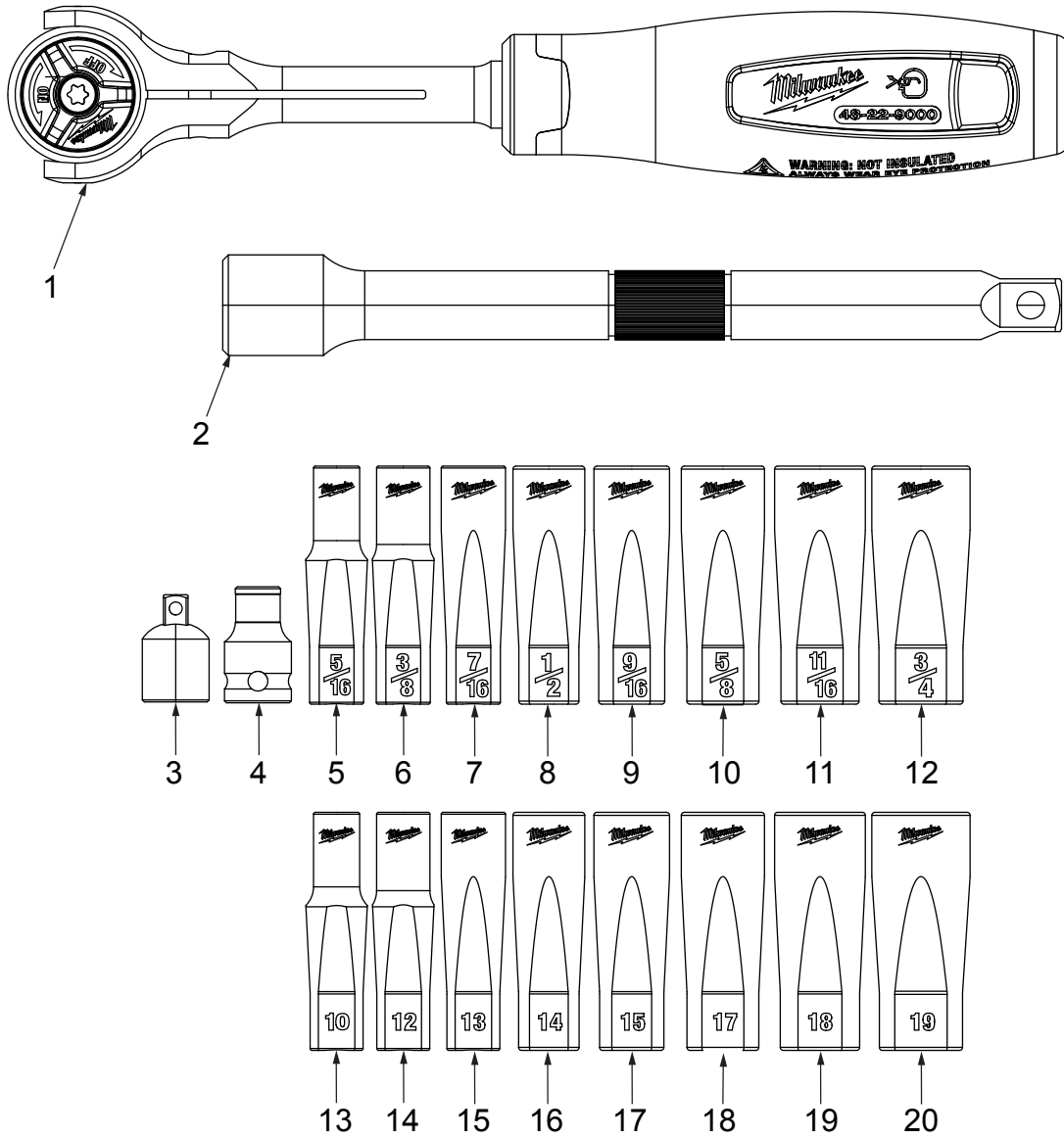


FIG.	PART NO.	DESCRIPTION OF PART	NO. REQ.	FIG.	PART NO.	DESCRIPTION OF PART	NO. REQ.
1	44-84-0375	3/8" Socket Wrench	(1)	12	45-34-7500	3/4" Socket	(1)
2	43-24-0006	6" Extension	(1)	13	45-34-0010	10mm Socket	(1)
3	42-04-3755	3/8"-1/4" Adapter	(1)	14	45-34-0012	12mm Socket	(1)
4	42-04-3750	3/8" Hex Adapter	(1)	15	45-34-0013	13mm Socket	(1)
5	45-34-3125	5/16" Socket	(1)	16	45-34-0014	14mm Socket	(1)
6	45-34-3750	3/8" Socket	(1)	17	45-34-0015	15mm Socket	(1)
7	45-34-4375	7/16" Socket	(1)	18	45-34-0117	17mm Socket	(1)
8	45-34-5000	1/2" Socket	(1)	19	45-34-0118	18mm Socket	(1)
9	45-34-5625	9/16" Socket	(1)	20	45-34-0119	19mm Socket	(1)
10	45-34-6250	5/8" Socket	(1)	21	42-55-9000	SAE Socket Set Fabric Case (Not Shown)	(1)
11	45-34-6875	11/16" Socket	(1)	22	42-55-9001	Metric Set Fabric Case (Not Shown)	(1)